



# NOFLOODS ALUGATE

PRODUCT CATALOGUE 2024-2025

Semi-permanent flood barrier system specifically designed to protect buildings and infrastructure against flooding.

---

# Table of Content

01 - Product Catalogue 2024-2025

02 - Features & Benefits

03- Concept & Components

04 - AluGate Models & Specifications

05 - Installation Guide

06- AluGate Applications

07- Contact Us



# NoFloods AluGate

## Product Catalogue

### 2024-2025

The NoFloods AluGate is a semi-permanent aluminum panel flood barrier system designed to protect urban structures from flooding.

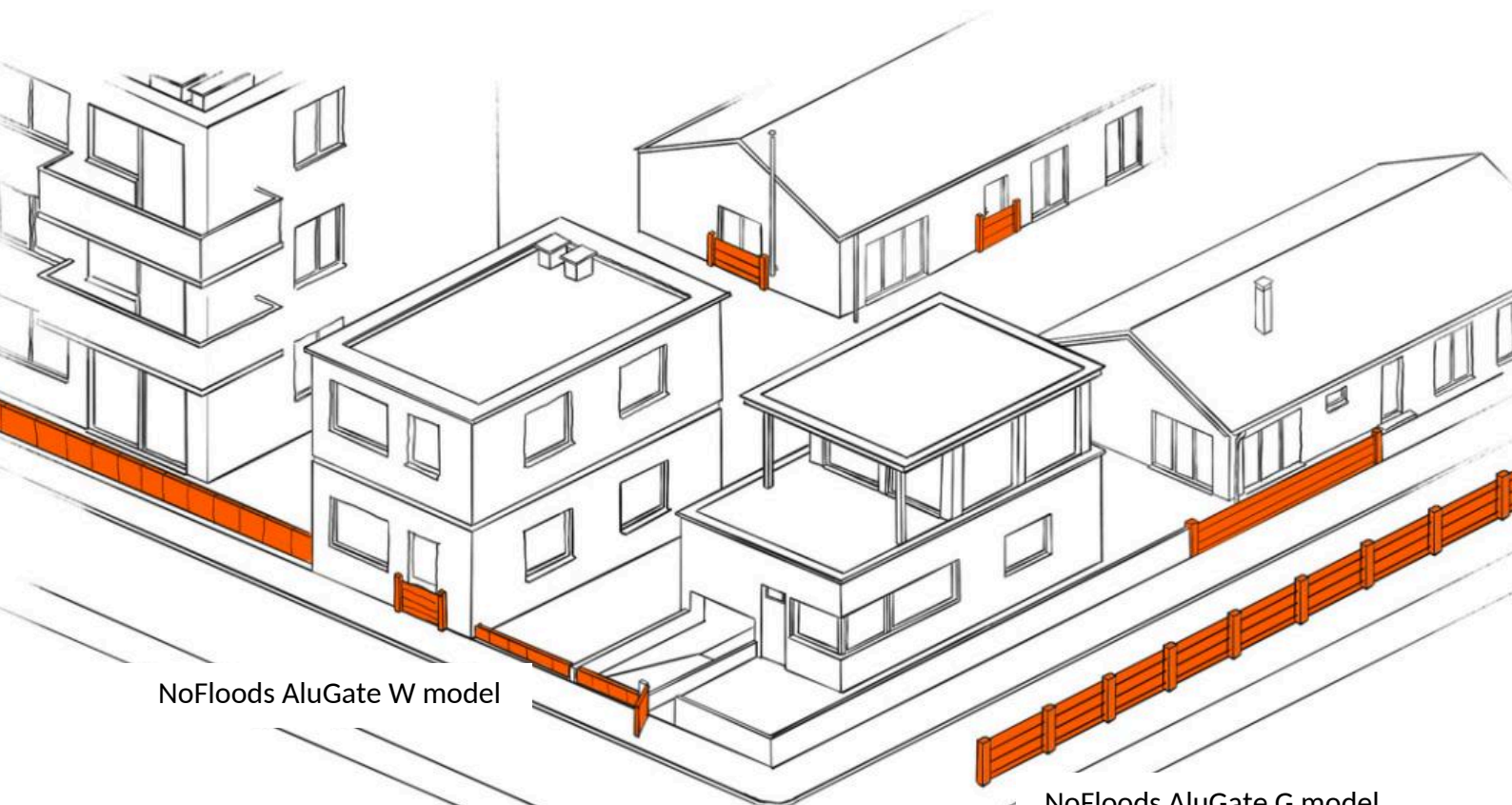
The barrier system is available in two variants: The W model designed for installation between two fixed points, such as doors, gates, or window openings, and the G model suitable for installation over longer distances where two fixed points are not readily available.

The system is comprised of posts and planks, designed to work together seamlessly to provide effective flood protection. The posts serve as the structural foundation, while the planks interlock securely to form a reliable barrier. When flooding is anticipated, the aluminum planks are simply stacked within these posts to the required protection height.

This barrier system is both functional, user friendly and aesthetically pleasing. The sleek, discreet U-profiles blend seamlessly into various environments without being intrusive. Additionally, the system allows for rapid deployment and requires minimal maintenance, ensuring long-lasting and reliable protection.

The materials of this barrier system are specifically designed to withstand significant stress, making it ideal for areas exposed to high winds or debris.

Whether for residential, commercial, or municipal applications, the AluGate offers a reliable and quick solution for flood defense, ensuring peace of mind in the face of rising waters.



NoFloods AluGate W model

NoFloods AluGate G model

# NoFloods AluGate

## Features & Benefits



### Material & Structure

The barrier is engineered to withstand extreme flood conditions. The design and materials ensure no water penetration, providing complete protection.



### Semi-permanent structure

The semi-permanent design allows planks and posts to be easily removed and stored when not in use.



### Light weight

Weighing only 2.0 -2.85 kg/m the NoFloods Alugate is easy to install



### Protection

The integrity of NoFloods AluGate ensures efficient protecting against flood water.



### Sealing Off Leakage

The sealing strips made from rubber EPDM ensures tightness and prevent water penetration.



### Optimised Storage

The compact and stackable design of the Nofloods AluGate ensures that the barrier takes up minimal storage space.



### Two Component System

The NoFloods AluGate is a two component barrier system consisting of posts and planks made from high-quality aluminum alloy in an molded profile.



### Sustainable

The aluminum surface has been anodized to resist corrosion from acids and alkalis, which enhances its durability and allows the barrier to be reused again and again.

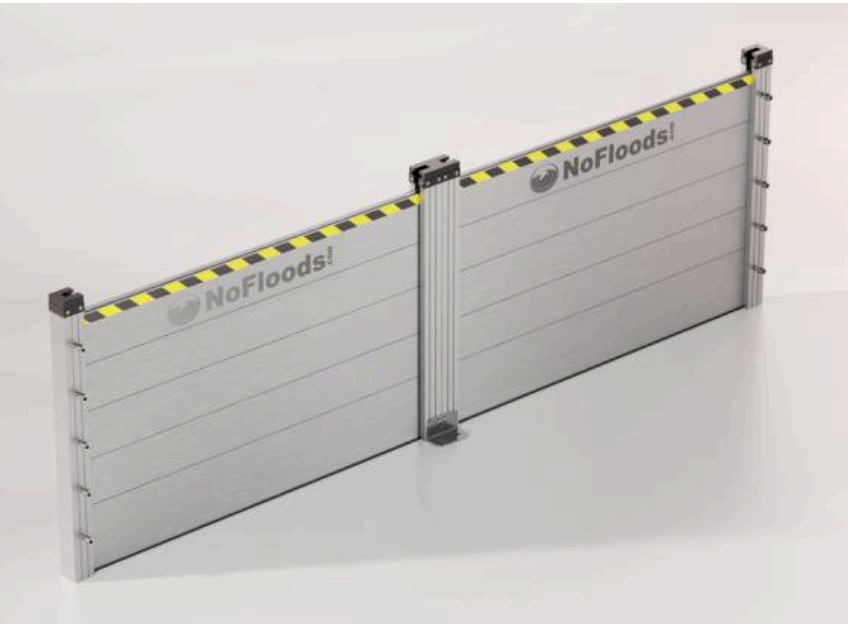


### Multiple installations options

The two types of barriers are designed to accommodate a wide range of installation scenarios, offering flexibility to suit diverse requirements.

# NoFloods AluGate W model

## Concept & Components



*NoFloods AluGate W model assembly example*

The U-profiles are installed on both sides of the opening to be protected. They can be mounted either inside or outside the opening, offering flexibility to adapt the solution to specific installation requirements, including local conditions, space constraints, or preferred aesthetics.

The AluGate concept also offers 90-degree corner posts which are particularly effective for providing seamless protection in complex installations, such as around power stations.

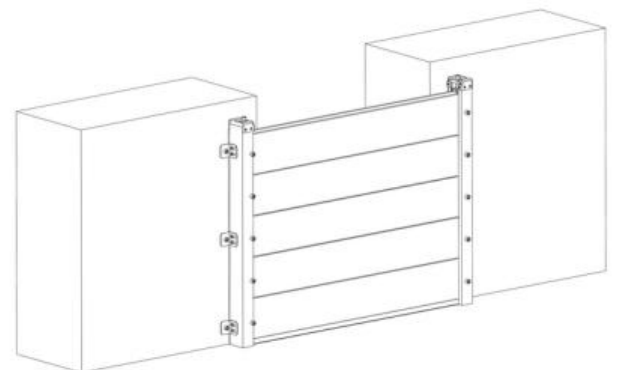
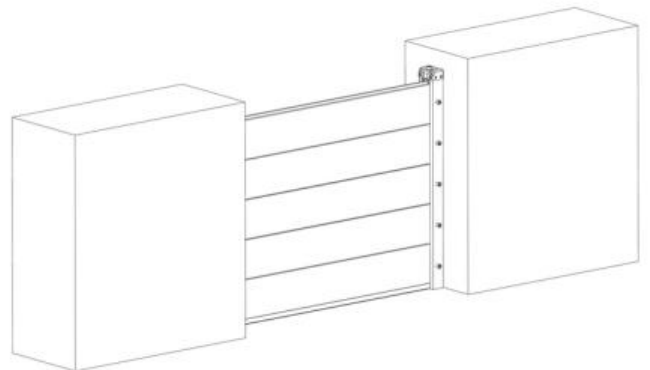
Center posts and baseplates allows for installation between far standing points as well as freestanding configurations.

The NoFloods AluGate can be delivered with various accessories depending on your installation requirements.

The system is a two-component barrier consisting of posts and planks made from high-quality aluminum. The aluminum surface is anodized to resist erosion from acids and alkalis, enhancing the barrier's integrity and durability.

The barrier is designed to withstand water levels of up to 2 meters, making it ideal for the effective protection of both residential and commercial buildings.

The NoFloods AluGate offers four types of posts to accommodate a wide range of installation environments. Each post type is engineered for optimal compatibility and performance.



# NoFloods AluGate G model

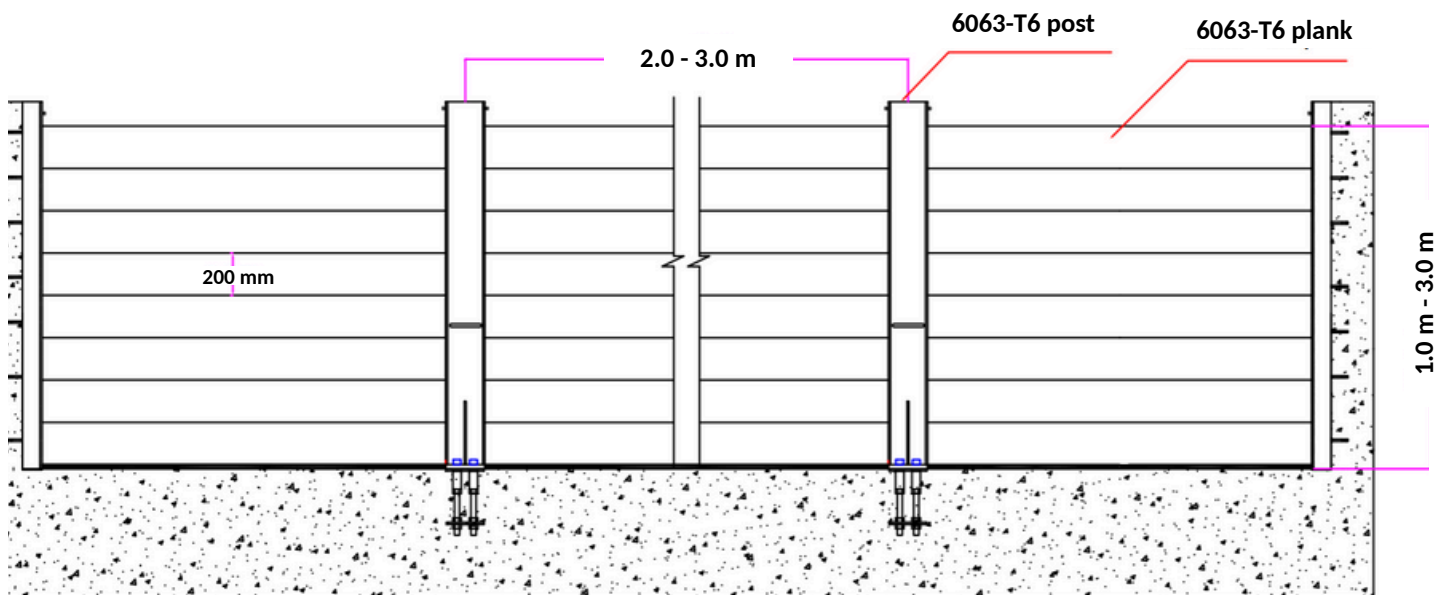
## Concept & Components



The NoFloods AluGate G model is based on the same principals as the AluGate W model consisting of posts and planks. Constructed from the same high-quality aluminum alloy, the barrier will keep its integrity for a long time.

The NoFloods AluGate G model differs from the W model by its heavy duty ground anchoring plates designed to accommodate a wide range of installation environments offering optimal compatibility and performance over longer distances with a protection height of up to 3 meters.

*NoFloods AluGate Free assembly example*



The NoFloods AluGate G model is suitable for various applications, including community flood defenses, road and railway closures, industrial and commercial sites, and coastal protection projects.

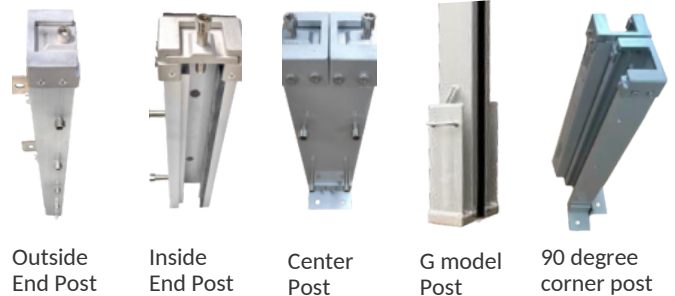
It is recommended to install posts at intervals of 2-3 meters adjusted to suit deployment requirements. The NoFloods system is ideal for both straight and curved flood defense lines. It accommodates curves with a radius of 20m or more (2m between posts) or 30m or more (3m between posts) using standard support posts. For tighter curves, specialised corner posts are available.

# NoFloods AluGate

## Models & Specifications

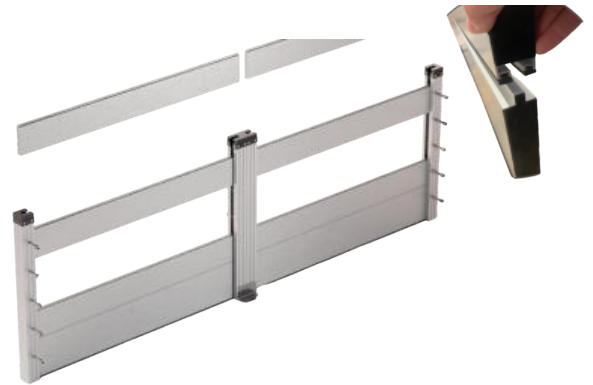
### Posts

- W Model Types: Inside Mounted, Outside Mounted, Center, 90-Degree
- G Model Types: Freestanding, End, 90-Degree
- Post Material: 6063 T-6 Aluminum
- Sealing Material: Rubber EPDM
- W model Protection Height: Up to 2 meters
- G model Protection Height: Up to 3 metres
- Post Weight: + 2 kg/m + top cap and seal
- Bolts: Stainless Steel



### Planks

- Plank Material: 6063 T-6 Aluminum
- Sealing Strip Material: Rubber EPDM
- Plank Length: Varies depending on opening size
- Plank height: 200 mm (Standard)
- Plank weight: +2.85 kg/m



### Sealing

- Both planks and posts are equipped with EPDM rubber seals to ensure tightness and prevent water penetration.



### Support Legs

- It is recommended to install support legs for barrier heights above 1 meter and for longer installations to ensure optimal stability and strength of the barrier.



### Base Plates

- The 304 stainless steel anchoring base plates for the W-model and G-model posts, along with the barrier base plate, ensure secure anchoring and a stable, even surface for the planks.





# Installation Guide

## Deployment & After Use

Both models follow the same installation principle. However, before installing the wall mounted barrier, determine whether you want to place the posts inside the opening or outside of it. For optimal installation and use of the AluGate, always refer to the user manual for detailed instructions and guidelines.

1

### W Post installation

- Ensure that the outside rubber seals are facing the wall where the post will be installed, and that the U-channel opening is directed toward the opening, ready to receive a plank.
- Use a hammer drill to create holes for the included expanding wall anchors.
- Insert and expand the anchors to secure the posts to the wall.
- Ensure the anchors are inserted into a solid concrete, cinderblock, or cement wall for optimal system stability.

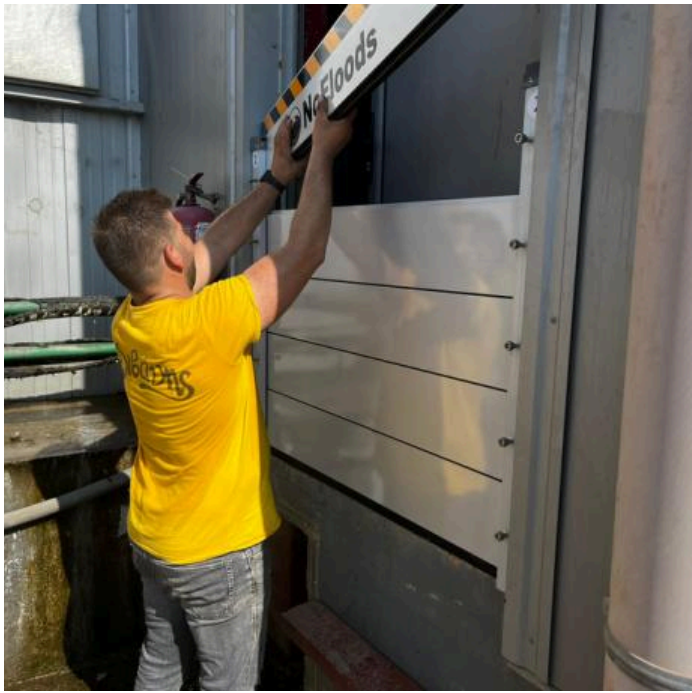
1

### G Post installation

- Prepare and cast a foundation according to the required specifications to ensure stability and load-bearing capacity.
- Securely install the base plate onto the foundation to provide a solid anchor for the rest of the structure.
- Insert and secure the post into the designated slot on the base plate.

*\*The required mounting tolerances for anchor plates depend on the height of the center posts. Taller posts are more sensitive to any inclination of the anchor plate, which can impact the alignment at the top of the post. Please refer to technical information before installation.*





2

## Insertion of planks

- Loosen the tightening bolts and the top locking bracket (According to AluGate model).
- Insert one plank at the time. Ensure that the planks are positioned with the rubber seal facing downwards.
- Continue to insert planks until all the planks are in position, ready for tightening.
- Note: The plank with the the reflective warning tape should be inserted as the last one on top.

## Tightening of planks\*

3

- Use the included Allen wrench to tighten flood planks into position and against the internal rubber seals.
- Insert the top locking clamps into the post top slot. Use the Allen wrench to tighten down the clamps and to apply pressure to flood planks below, enhancing the seal between slats.
- Use the tightening bolts on the posts to tighten down the planks within the U-channel and to ensure a seal with the neoprene strips within the channel.



4

## After Use

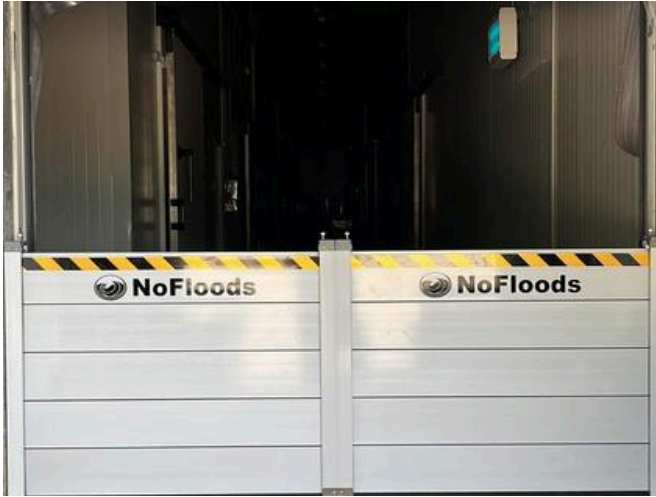
Loosen top locking clamps and tightening bolts and remove planks in the reverse order. Clean off any debris, dry and store away.

*\*The method for securing planks varies between the NoFloods AluGate G and W models due to design differences. Each model uses a distinct mechanism for tightening the planks. Refer to the user manual for model-specific instructions to ensure proper installation and performance.*

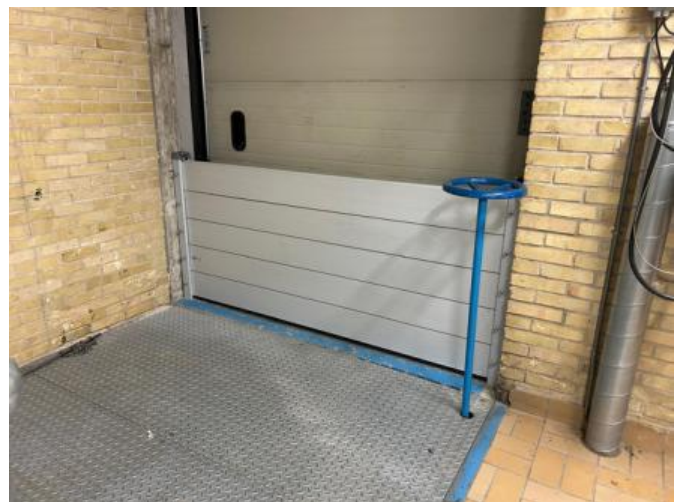
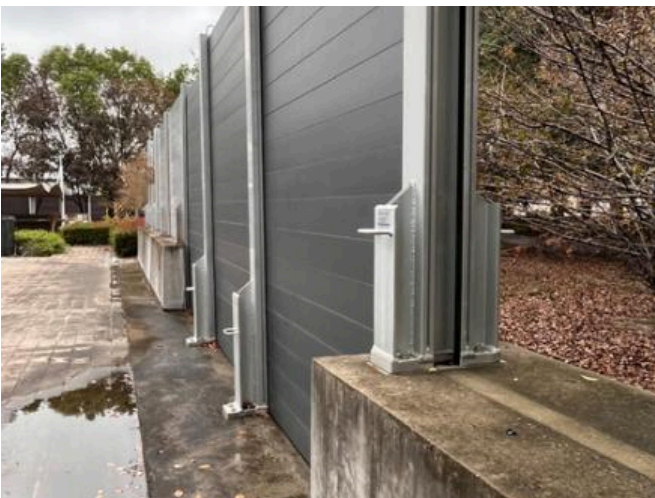


# Applications

The NoFloods AluGate W and G models offers versatile applications across various settings, providing effective solutions for numerous scenarios. For optimal use and maintenance of the AluGate, always refer to the user manual for detailed instructions and guidelines. The manual provides essential information on setup, cleaning, and storage to ensure the longevity and effectiveness of the barrier.



# Applications





## Contact Us



Hareskovvej 17i  
4400 Kalundborg Denmark



+45 53 79 20 87



+4570707482



info@nofloods.com



www.nofloods.com  
www.alubarriers.com